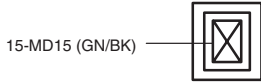


C457 (OG)

19A442

F01008



14401

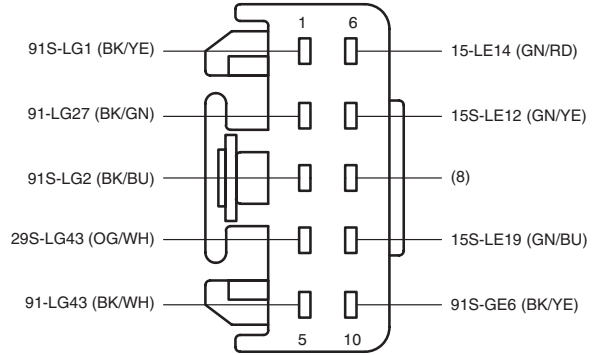
F01015



C459 (GY)

14401

F10042



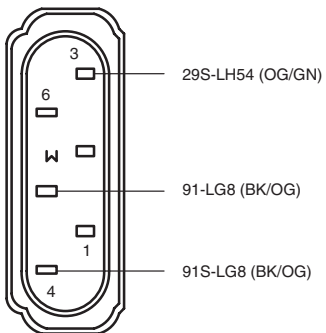
N90
Direction indicator
switch

(8) 15S-LE19C (GN/BU)
15S-LE14A (GN/RD)
15S-LE14B (GN/RD)

C458 (BK)

14401

F06126

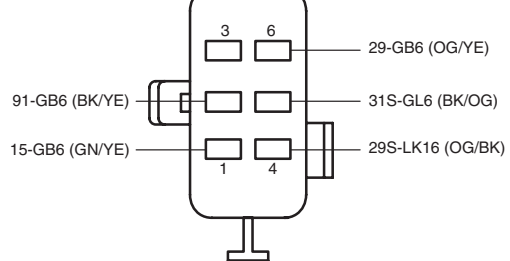


N49
Hazard flasher
switch

C460

14401

F06065



A39
Clock