

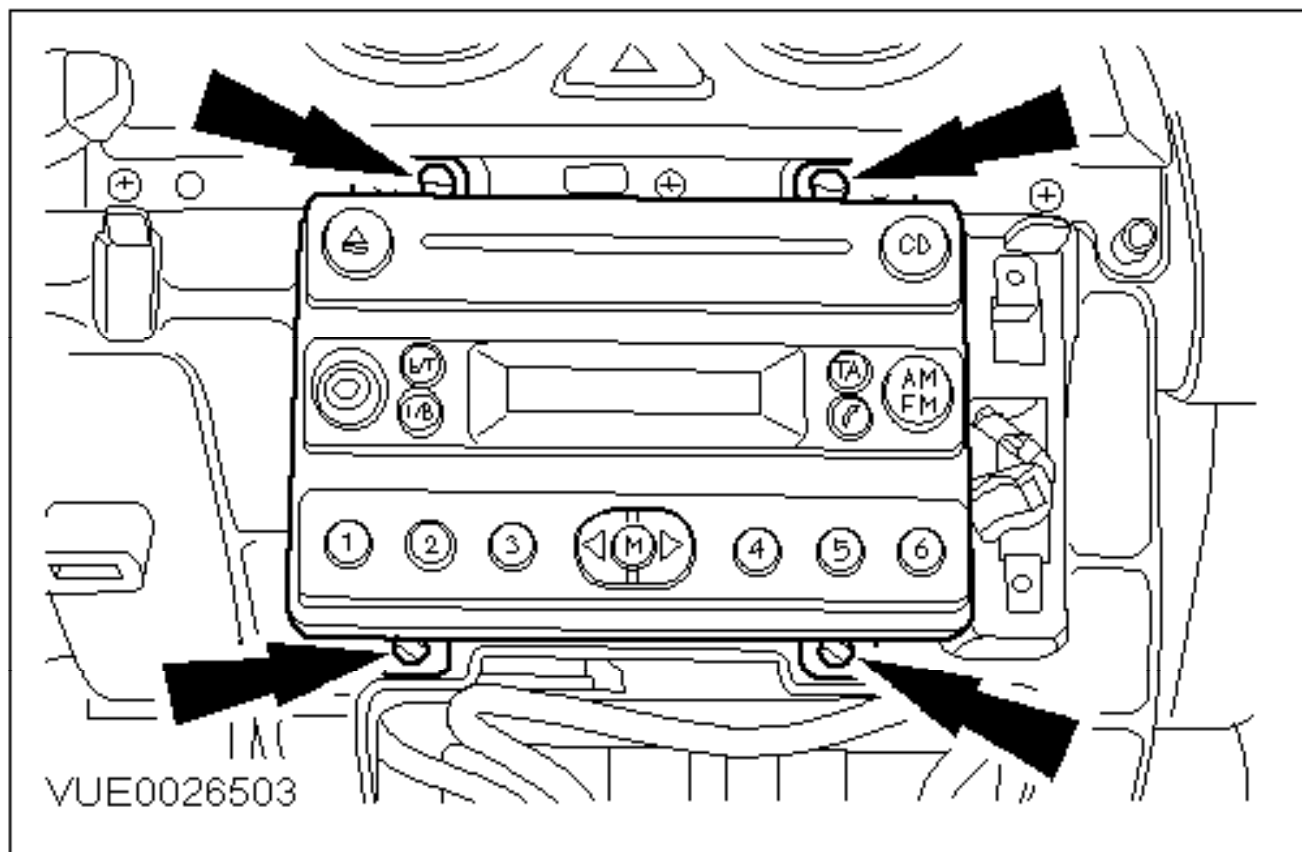
## Audio Unit (382220)

### Removal

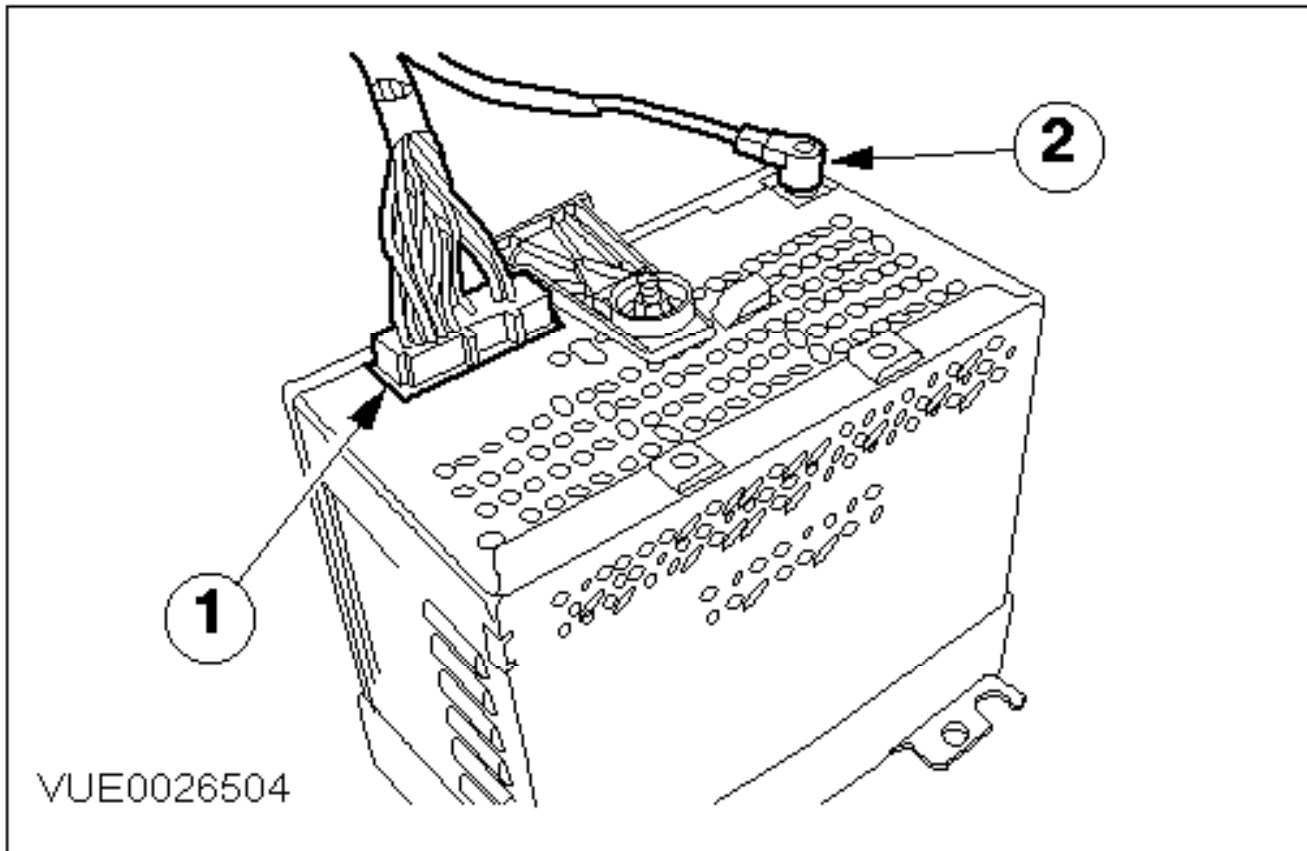
#### Note:

It is not necessary to remove the audio unit in order to obtain the serial number. To obtain the serial number, simultaneously PRESS buttons 2 and 6. The serial number will be shown in the audio unit display.

1. Remove the climate control assembly. For additional information, refer to [«Section 412-04»](#).



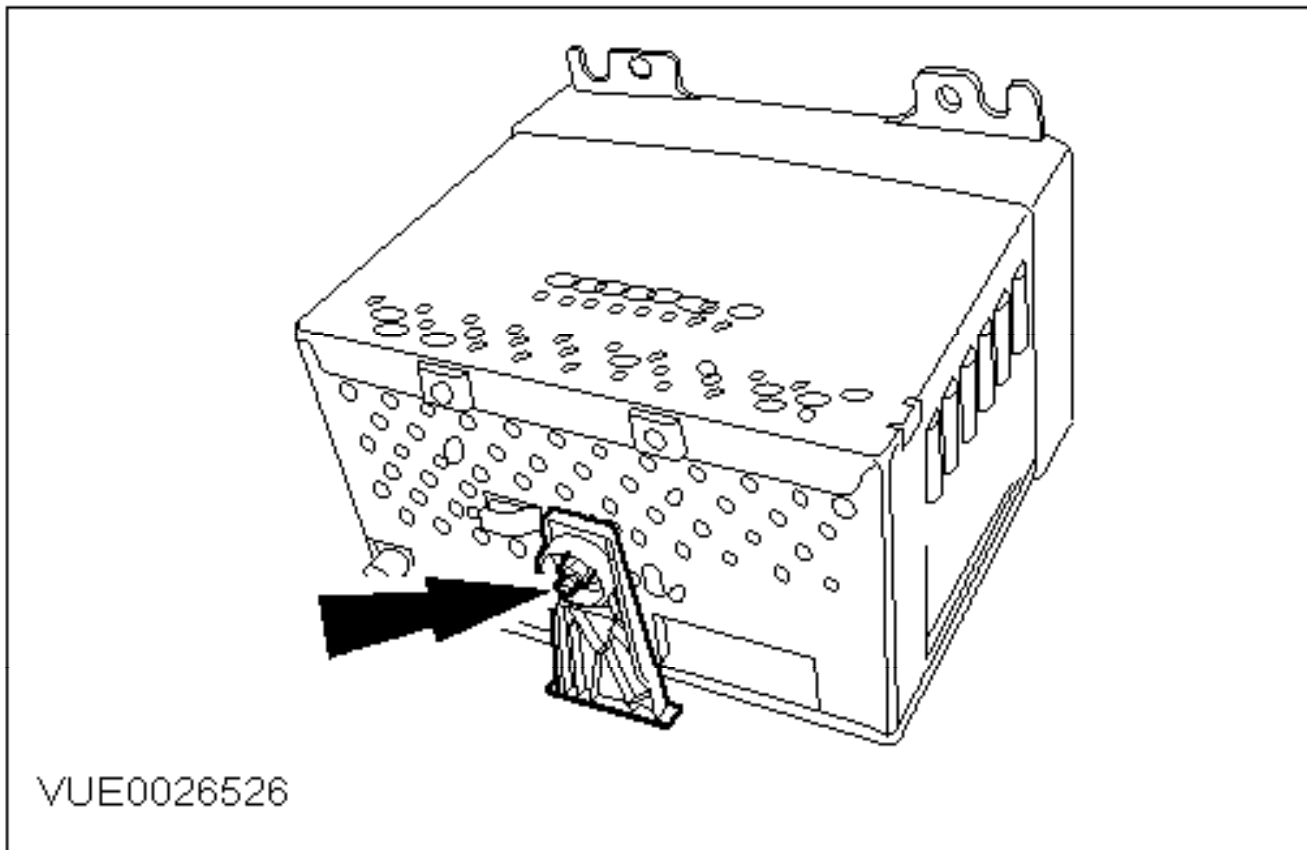
2. Detach the audio unit from the instrument panel.



3. Disconnect the electrical connectors and remove the audio unit.


1 Disconnect the electrical connector.


2 Disconnect the antenna cable connector.



4. Remove the audio unit rear support.

## Installation

1.  **CAUTION:**  
To prevent damage to the new audio unit while installing the climate control and audio unit trim panel, apply masking tape to the three sections of the audio unit.

 **CAUTION:**  
To prevent possible damage to the audio unit while connecting the electrical connector, make sure that the antenna cable connector is connected first.

 **CAUTION:**  
The audio unit wiring harness must not become trapped when installing the audio unit.

**Note:**

The audio unit rear support must engage with the audio unit support bracket.

To install, reverse the removal procedure.

---