

## REMOVAL AND INSTALLATION (Continued)

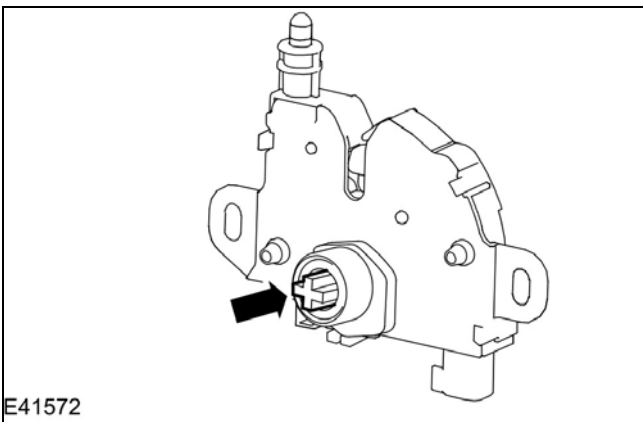
### Installation Details

#### Item 7 : Hood lock cylinder connecting bar

1. **NOTE:** Make sure that the hood lock cylinder connecting bar is installed in the same position and alignment as removed.

**NOTE:** Make sure that the hood lock cylinder connecting bar clips are facing the correct way. The long tapered clips of the hood lock cylinder connecting bar should be installed into the hood latch.

**Install the hood lock cylinder connecting bar to the hood latch.**



E41572

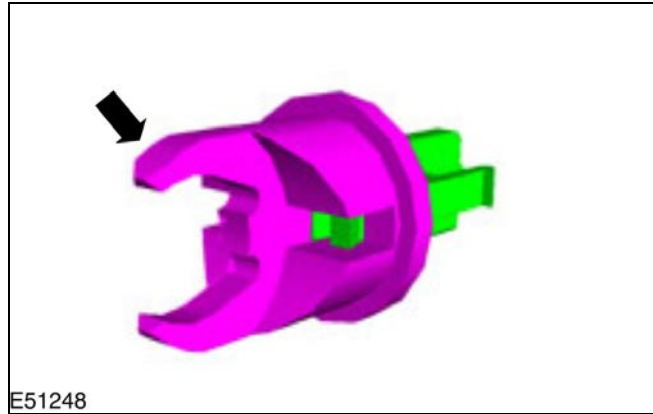
#### Item 6 : Hood lock cylinder connecting clip

1. **NOTE:** Make sure that the hood lock cylinder connecting bar is installed in the same position and alignment as removed.

**NOTE:** Make sure that the hood lock cylinder connecting bar clips are facing the correct way. The short tapered clips of the hood lock cylinder connecting bar should be installed into the hood lock cylinder connecting clip.

The hood lock cylinder connecting bar clips must be compressed before being installed into the hood lock cylinder connecting clip.

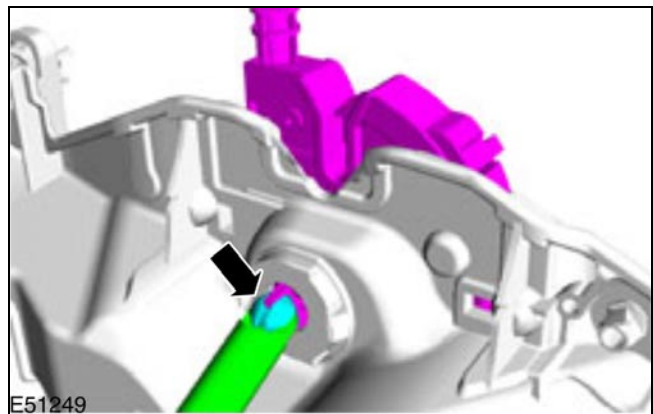
**Using a suitable tool, install the hood lock cylinder connecting clip to the hood lock cylinder connecting bar (hood latch shown removed for clarity).**



E51248

#### Item 4 : Hood latch

1. **Attach the hood lock cylinder to hood latch rod swivel joint to the hood latch connecting clip.**



E51249

#### Item 3 : Hood latch retaining bolts

1. **Tighten the hood latch retaining bolts.**

- Adjust the hood latch so that the hood alignment is correct.