

«Ka/Streetka Table of Contents»

«Group 5: Body and Paint»

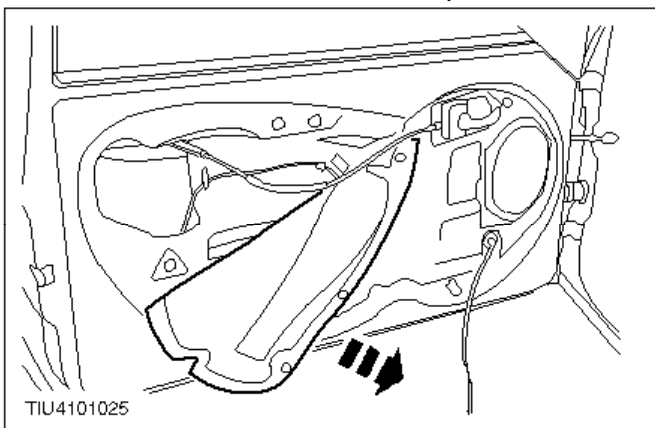
«Section 501-14: HANDLES, LOCKS, LATCHES AND ENTRY SYSTEMS»

«REMOVAL AND INSTALLATION»

Exterior Door Handle (413330)

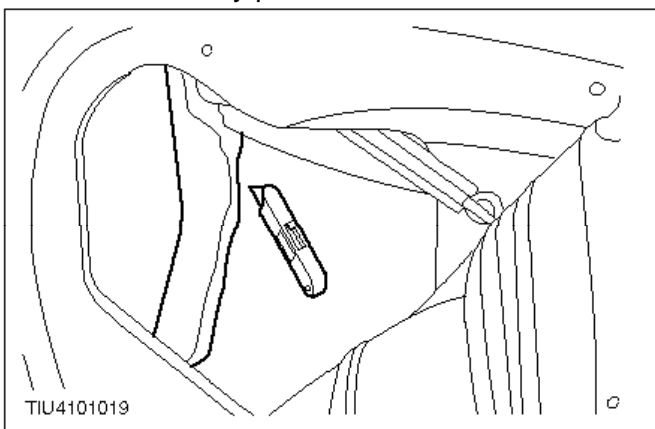
Removal

1. Remove the door trim panel. For additional information, refer to «Section 501-05».

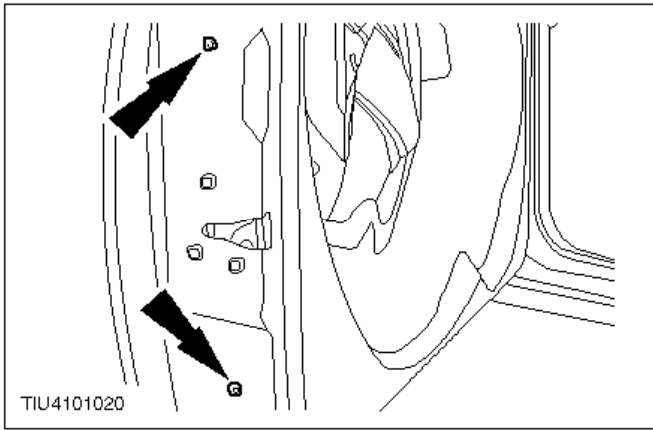


2.  **CAUTION:**
Do not touch self-adhesive surface as re-bonding will be impaired.

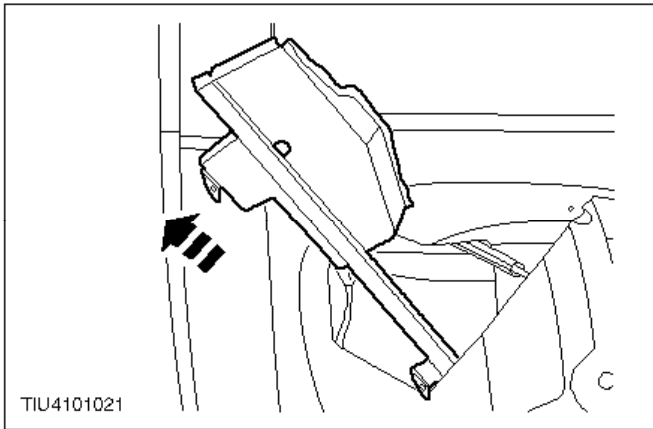
Locally peel back the self-adhesive watershield.



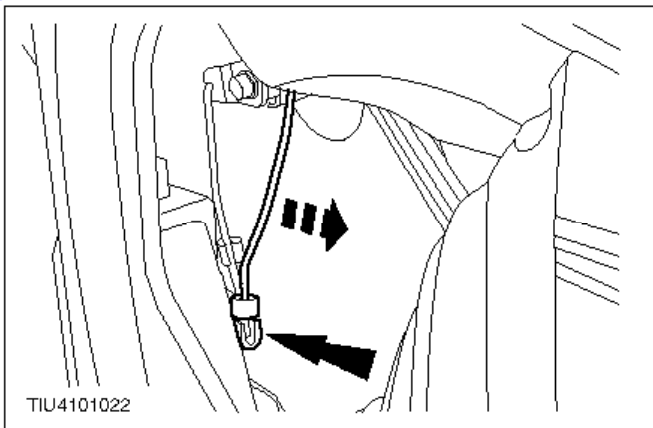
3. **Note:**
The window runner and lock shield is one unit.
Cut through the sealant fixing the lock shield to the outer door skin.



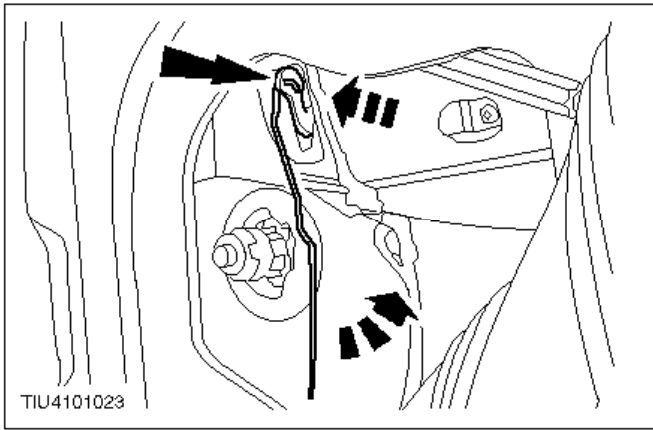
μ 4. Drill out the two rivets retaining the window runner.



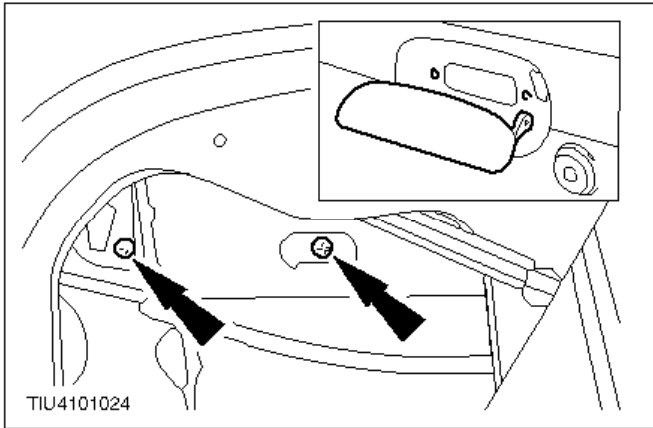
μ 5. Remove the window runner and lock shield.



μ 6. Disconnect the door lock actuating rod.
● Prise open the clip and pull out the rod.



- μ 7. Remove the door lock actuating rod.
- Unhook the rod from the exterior door handle.



- μ 8. Remove the door handle (two screws).

Installation

1. Refit the components in reverse order.
-