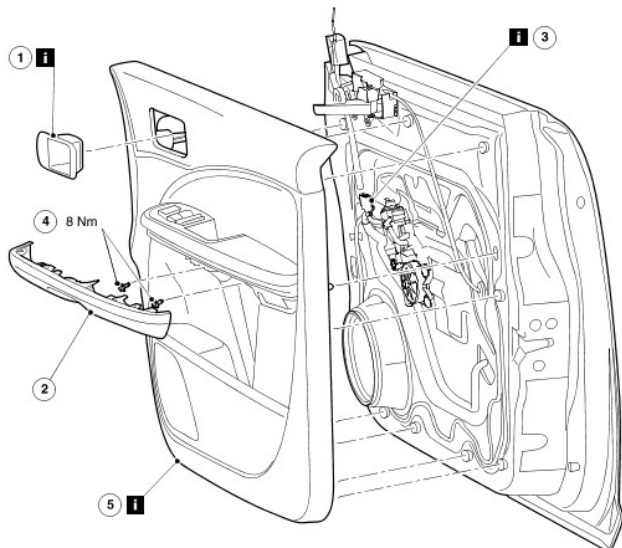


Removal and Installation

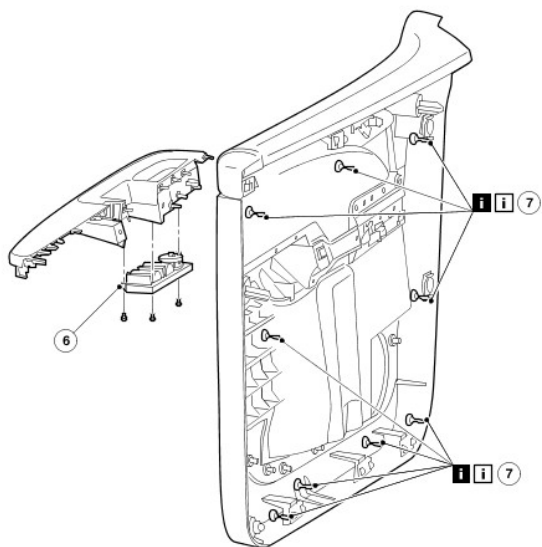
1. Disconnect the battery ground cable.
For additional information, refer to: Battery Disconnect (414-01 Battery, Mounting and Cables, General Procedures).

2. Remove the components in the order indicated in the following illustration(s) and table(s).



E39522

Item	Part Number	Description
1	-	Front door latch remote control handle bezel See Removal Detail
2	-	Front door pull handle cover
3	-	Front power window control unit electrical connector See Removal Detail
4	-	Front door pull handle retaining bolts
5	-	Front door trim panel See Removal Detail



E39523

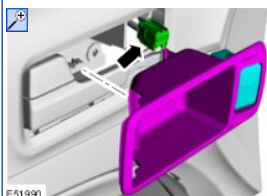
Item	Part Number	Description
6	-	Front door power window control unit bezel (front door trim panel pull handle shown removed for clarity)
7	-	Front door trim panel retaining clips See Removal Detail See Installation Detail

3. To install, reverse the removal procedure.

4. Initialize the door window motors.
For additional information, refer to: [Door Window Motor Initialization](#) (501-11 Glass, Frames and Mechanisms, General Procedures).

Removal Details

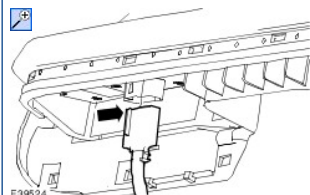
Item 1 : Front door latch remote control handle bezel



E51990

1. Remove the front door latch remote control bezel.
 - Disconnect the remote keyless entry door lock button (if equipped).

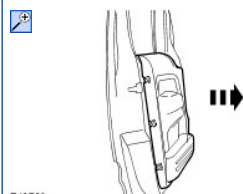
Item 3 : Front power window control unit electrical connector



E39524

1. Disconnect the front door power window control unit electrical connector.

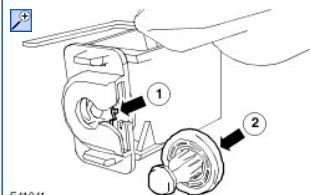
Item 5 : Front door trim panel



E40796

1. Remove the front door trim panel.

Item 7 : Front door trim panel retaining clips



E41041

1. Remove the front door trim panel retaining clips.
 1. Release the front door trim panel retaining clip locking tang.
 2. Remove the front door trim panel retaining clip.

Installation Details

Item 7 : Front door trim panel retaining clips

1. Install the front door trim panel retaining clips to the front door trim panel.