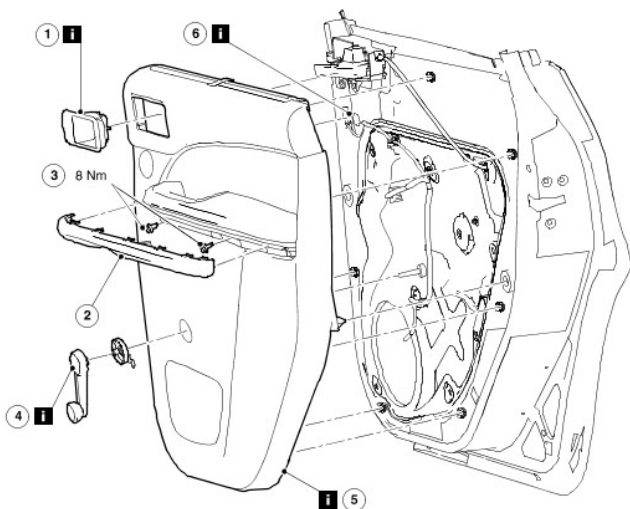


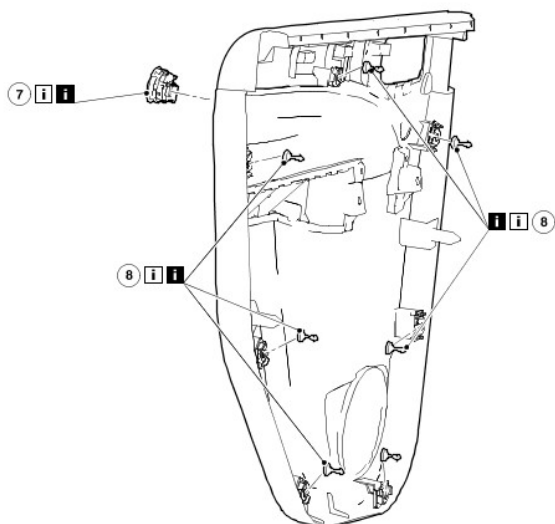
Removal and Installation

1. Disconnect the battery ground cable.
For additional information, refer to: Battery Disconnect.
2. Remove the components in the order indicated in the following illustration(s) and table(s).



E39510

Item	Part Number	Description
1	-	Rear door trim panel latch remote control handle bezel See Removal Detail
2	-	Rear door trim panel pull handle cover
3	-	Rear door trim panel pull handle retaining bolts
4	-	Rear door trim panel window regulator handle See Removal Detail
5	-	Rear door trim panel See Removal Detail
6	-	Rear door trim panel tweeter speaker electrical connector See Removal Detail



E39511

Item	Part Number	Description
7	-	Rear door trim panel tweeter speaker See Removal Detail See Installation Detail
8	-	Rear door trim panel retaining clips See Removal Detail

[See Installation Detail](#)

3. To install, reverse the removal procedure.

4. Initialize the door window motors.
For additional information, refer to: [Door Window Motor Initialization](#) (501-11 Glass, Frames and Mechanisms, General Procedures).

Removal Details

Item 1 : Rear door trim panel latch remote control handle bezel



E39502

1. Remove the rear door trim panel latch remote control bezel.
 1. Operate the rear door trim panel latch remote control release handle.
 2. Remove the rear door latch remote control bezel from the rear door latch remote control.

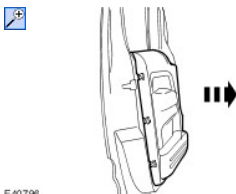
Item 4 : Rear door trim panel window regulator handle



VUE0030530

1. Fabricate a hook using a suitable piece of wire.
 1. Remove window regulator handle retaining clip.
 2. Remove window regulator handle.

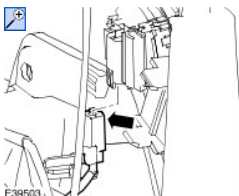
Item 5 : Rear door trim panel



E40796

1. **NOTE:** Detach the rear door trim panel starting from the top front corner down to the bottom rear corner of the door before the rear door trim panel is completely detached.
NOTE: Do not place excessive strain on the rear door trim panel tweeter speaker wiring harness. Detach the rear door trim panel.

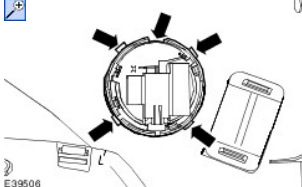
Item 6 : Rear door trim panel tweeter speaker electrical connector



E39503

1. Disconnect the rear door trim panel tweeter speaker electrical connector.

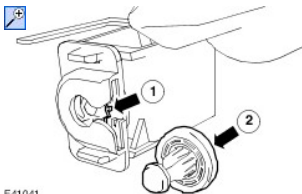
Item 7 : Rear door trim panel tweeter speaker



E39506

1. Remove the rear door trim panel tweeter speaker.
 - Release the locking tangs.

Item 8 : Rear door trim panel retaining clips



E41041

1. Remove the rear door trim panel retaining clips.
 1. Release the rear door trim panel retaining clip retainer locking tang.
 2. Remove the rear door trim panel retaining clip.

Installation Details

Item 8 : Rear door trim panel retaining clips

1. **NOTE:** Make sure that the rear door trim panel retaining clips are in the closed position. Install the rear door trim panel retaining clips to the rear door trim panel retaining clip retainer.

Item 7 : Rear door trim panel tweeter speaker



CAUTION: Make sure that the locating tang on the top of the rear door tweeter speaker is correctly aligned with the rear door trim panel groove. Failure to follow this instruction may cause damage to the rear door trim panel.
Install the rear door trim panel tweeter speaker.