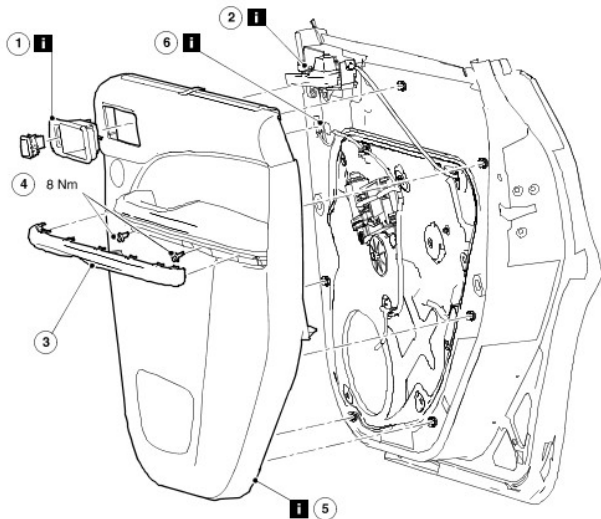


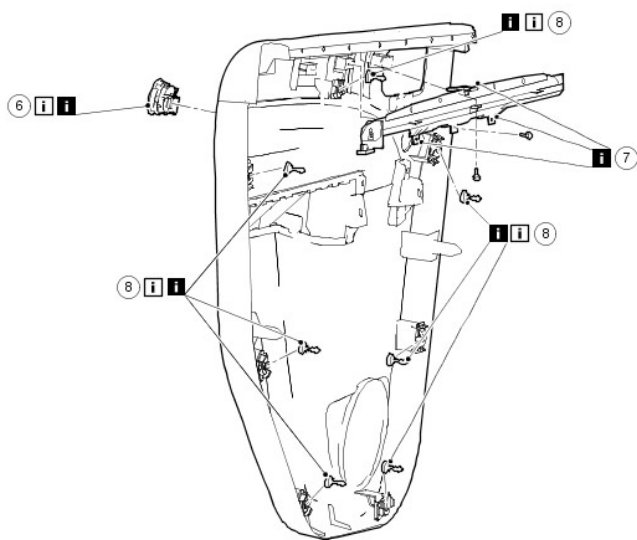
**Removal and Installation**

1. Disconnect the battery ground cable.  
For additional information, refer to: Battery Disconnect and Connect (414-01 Battery, Mounting and Cables, General Procedures).
2. Remove the components in the order indicated in the following illustration(s) and table(s).



E39500

Item	Part Number	Description
1	-	Rear door trim panel latch remote control handle bezel <a href="#">See Removal Detail</a>
2	-	Rear door trim panel power window switch <a href="#">See Removal Detail</a>
3	-	Rear door trim panel pull handle cover
4	-	Rear door trim panel pull handle retaining bolts
5	-	Rear door trim panel <a href="#">See Removal Detail</a>
6	-	Rear door trim panel tweeter speaker electrical connector <a href="#">See Removal Detail</a>



E39504

Item	Part Number	Description
6	-	Rear door trim panel tweeter speaker <a href="#">See Removal Detail</a> <a href="#">See Installation Detail</a>

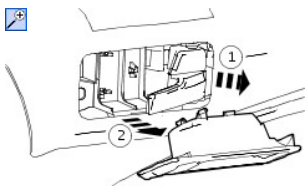
7		Rear door trim panel blind assembly <a href="#">See Removal Detail</a>
8	-	Rear door trim panel retaining clips <a href="#">See Removal Detail</a> <a href="#">See Installation Detail</a>

3. To install, reverse the removal procedure.

- Initialize the door window motors.  
For additional information, refer to: [Door Window Motor Initialization](#) (501-11 Glass, Frames and Mechanisms, General Procedures).

**Removal Details**

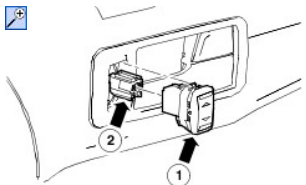
Item 1 : Rear door trim panel latch remote control handle bezel



E39502

- NOTE: Do not place excessive strain on the rear door trim panel power window switch wiring harness).** Detach the rear door trim panel latch release handle bezel (rear door trim panel power window switch shown removed for clarity).
  - Operate the Rear door latch release handle.
  - Detach the rear door latch release handle bezel from the rear door latch release handle.

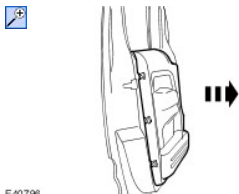
Item 2 : Rear door trim panel power window switch



E39501

- Remove the rear door trim panel power window switch.
  - Detach the power window switch from the rear door trim panel latch remote control handle bezel.
  - Disconnect the rear door power window switch electrical connector.

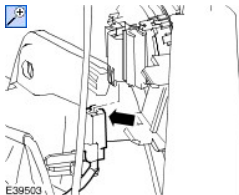
Item 5 : Rear door trim panel



E40796

- NOTE: Detach the rear door trim panel starting from the top front corner down to the bottom rear corner of the door before the rear door trim panel is completely detached.**  
**NOTE: Do not place excessive strain on the rear door trim panel tweeter speaker wiring harness.** Detach the rear door trim panel.

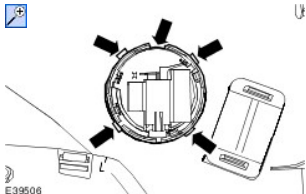
Item 6 : Rear door trim panel tweeter speaker electrical connector



E39503

- Disconnect the rear door trim panel tweeter speaker electrical connector.

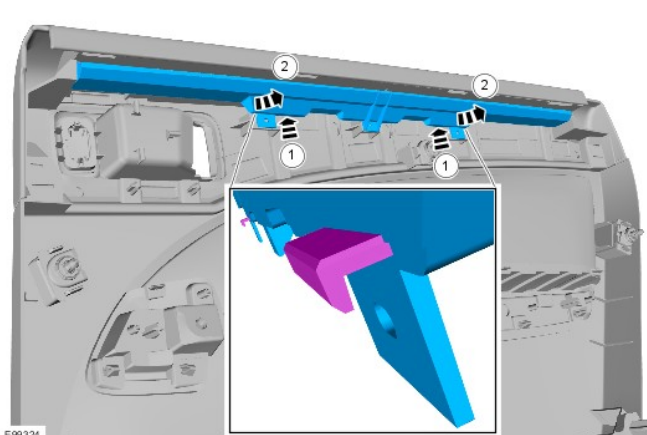
Item 6 : Rear door trim panel tweeter speaker



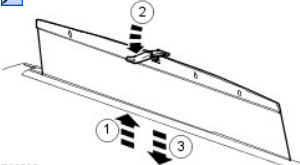
E39506

- Remove the rear door trim panel tweeter speaker.
  - Release the locking tangs.

Item 7 : Rear door trim panel blind assembly



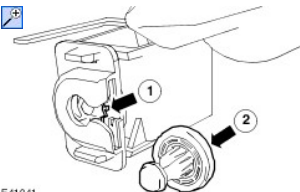
E99324



E99505

Item 8 : Rear door trim panel retaining clips

2.
  1. Raise the rear door trim panel blind.
  2. Move the rear door trim panel blind clip to the vertical position.
  3. Lower the rear door trim panel blind and feed through the rear door trim panel.



E41041

**Installation Details**

Item 8 : Rear door trim panel retaining clips

1. **NOTE:**Make sure that the rear door trim panel retaining clips are in the closed position.  
Install the rear door trim panel retaining clips to the rear door trim panel retaining clip retainer.

Item 6 : Rear door trim panel tweeter speaker

**CAUTION:**Make sure that the locating tang on the top of the rear door tweeter speaker is correctly aligned with the rear door trim panel groove. Failure to follow this instruction may cause damage to the rear door trim panel.  
Install the rear door trim panel tweeter speaker.