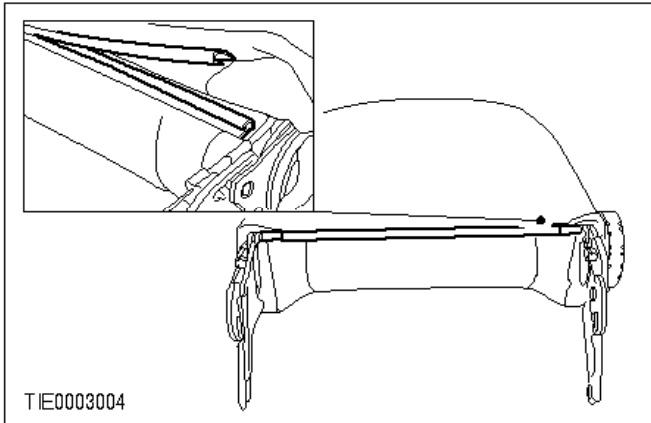


## Front Seat Backrest (401060)

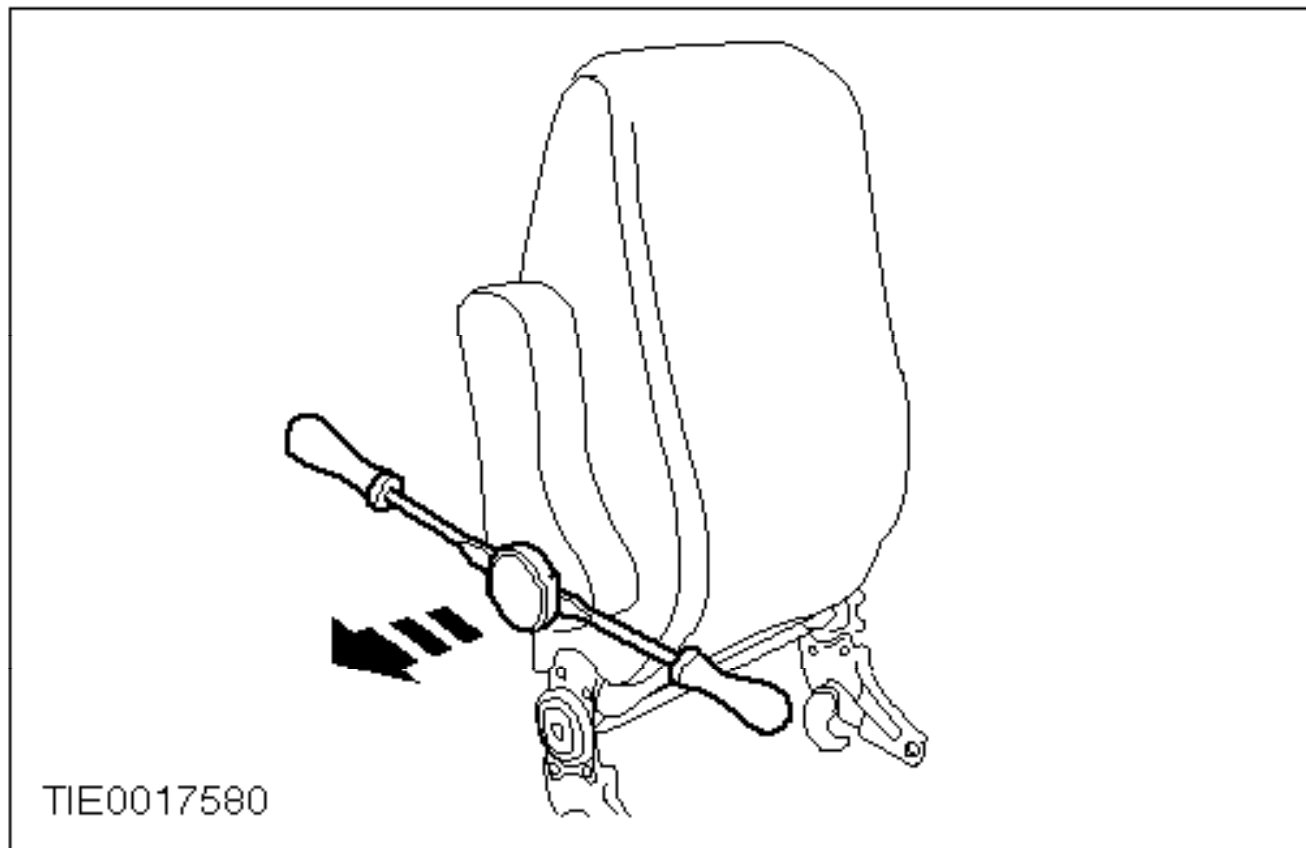
### Disassembly

#### All vehicles

1. Remove the head restraint.



2. Detach the plastic retaining strip from the base of the backrest.



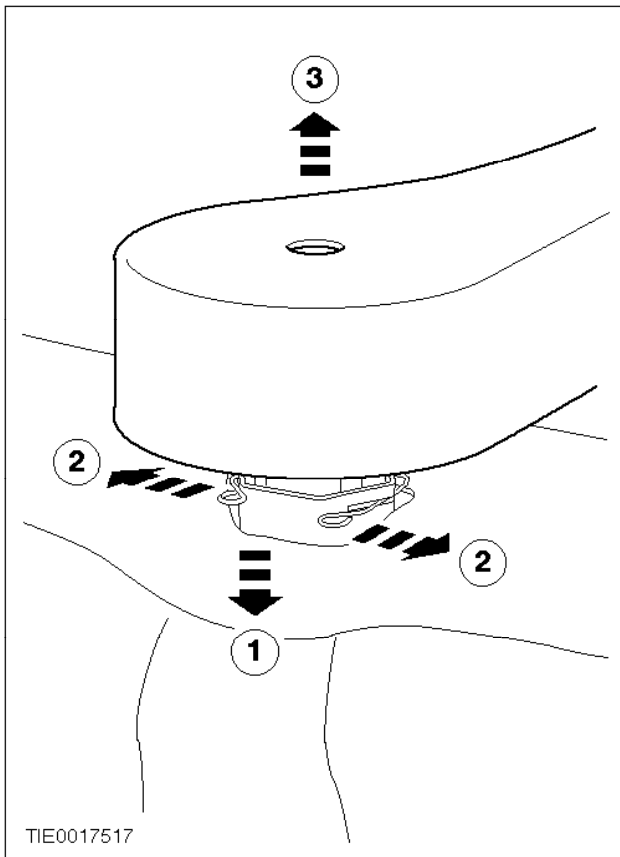
3.  **CAUTION:**

To avoid damage to the lumbar adjuster, even pressure must be applied to the opposite sides of the wheel.

**Note:**

Vehicles equipped with an armrest have an extension to the lumbar adjuster.

Remove the lumbar adjuster (if equipped).

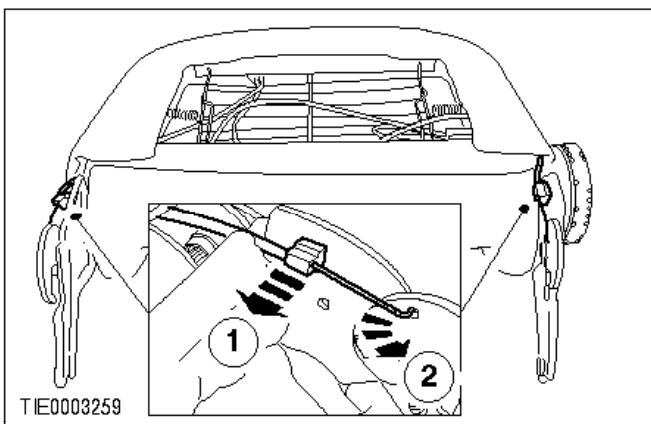


4. **Note:**

Do not remove the circlip.

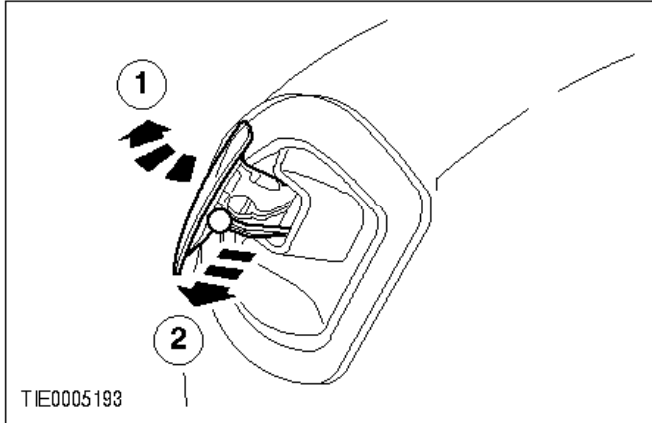
Remove the armrest (if equipped).

- 1 Reposition the cover to access the circlip.
- 2 Release the circlip.
- 3 Remove the armrest.

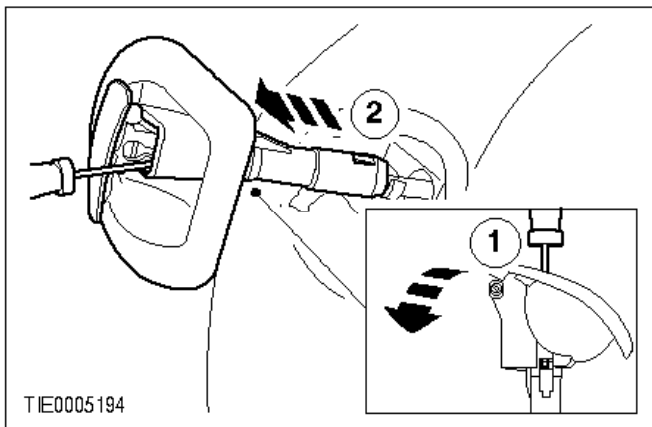


3-door

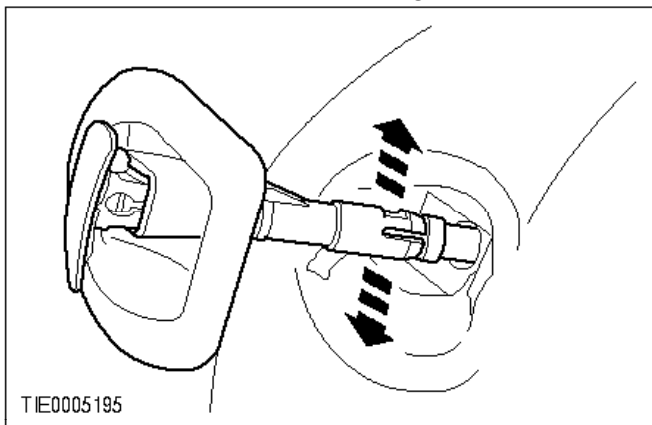
- 5. Detach the backrest release lever cables at the base of the backrest.
  - 1 Detach the outer cables from the seat frame.
  - 2 Detach the inner cables from the release lever.



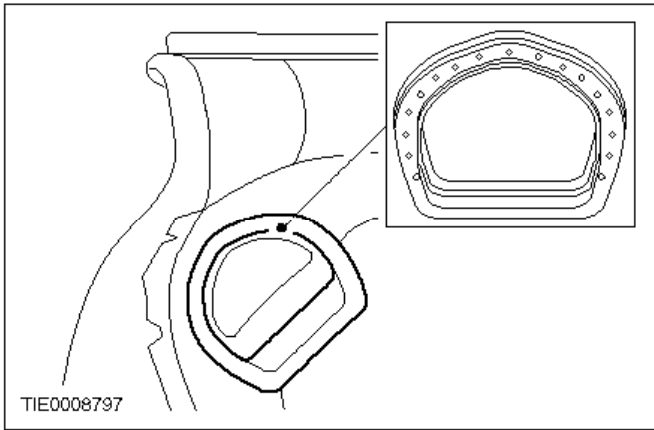
- 6. Detach the backrest release inner cable.
  - 1 Lift the release lever.
  - 2 Detach the backrest release inner cable.



- 7. Detach the backrest release lever housing.
  - 1 Using a suitable screwdriver, release the locking tang.
  - 2 Lift the housing from the seat backrest frame.



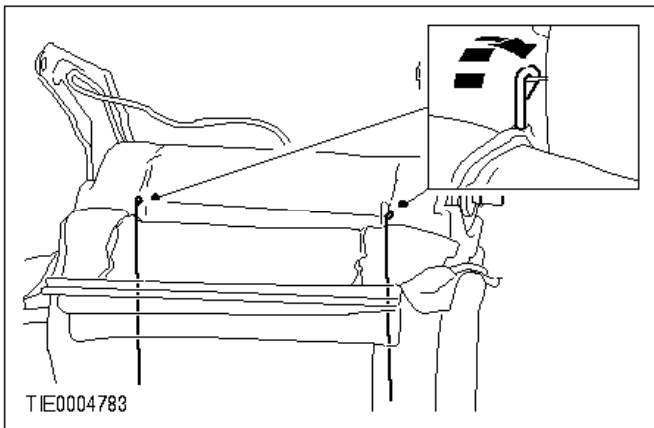
- 8. Remove the backrest release lever housing.
  - Detach the release lever outer cable from the housing.



- 9. Remove the backrest release lever surround.

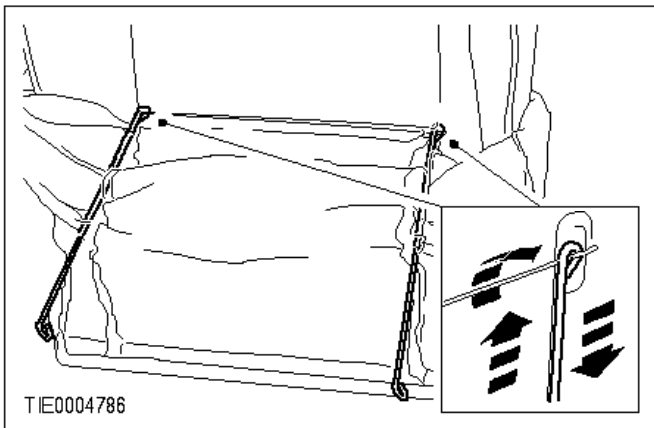
**All vehicles**

- 10. Roll the seat cover up the seat backrest to access the lateral tension rods.



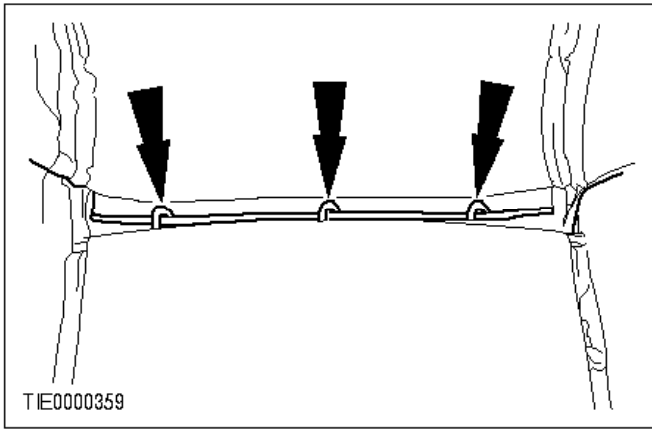
- 11. Detach the lower ends of the lateral tension rods.

- 12. Roll the cover down the backrest.

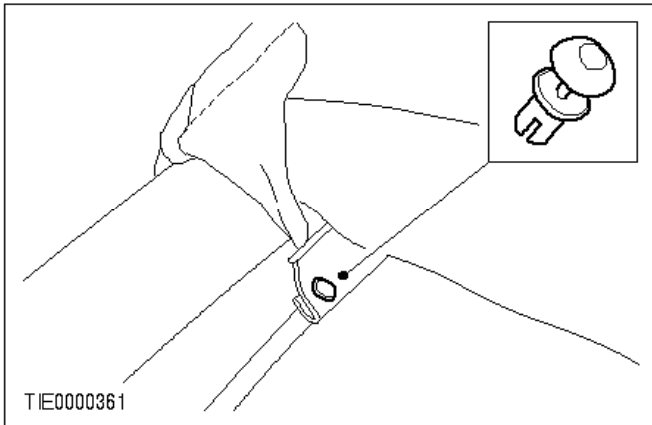


- 13. Detach the upper ends of the lateral tension rods.

- 14. Roll the seat cover up the backrest frame to access the upper spring frame.



15. Cut the hog rings attaching the seat cover to the upper edge of the spring frame assembly.

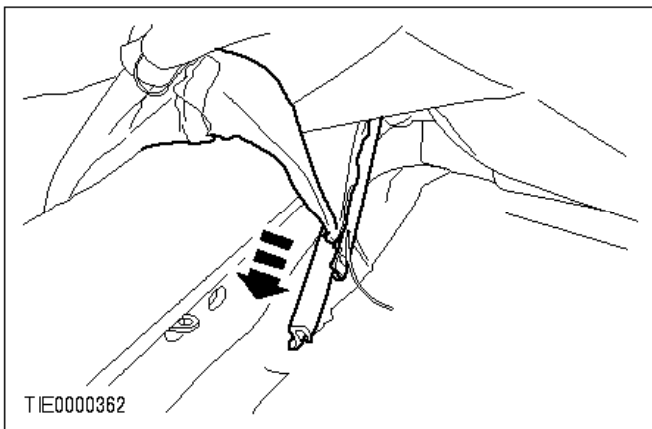


#### Vehicles with side air bags

16. **WARNING:**  
 Do not re-use the plastic retaining rivet. Always use the new rivet from the service kit. Failure to follow this warning could impair the air bag deployment and may result in personal injury.

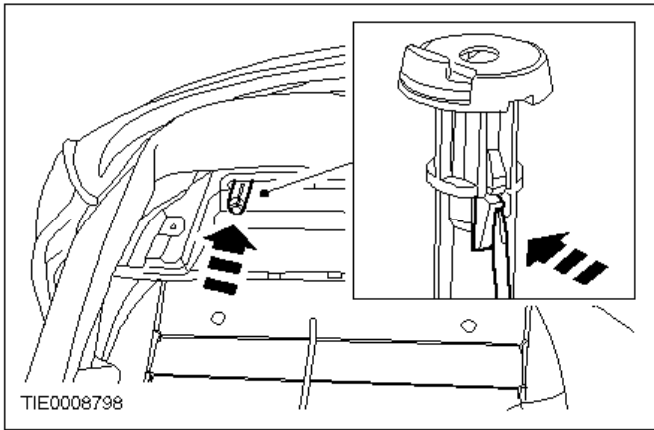
Remove the side air bag module deployment sleeve retainer.

- Remove the black plastic production rivet and discard.



17. **WARNING:**  
 Do not attempt to separate the plastic retaining strips in any other way than that detailed. Failure to follow this warning could impair the air bag deployment and may result in personal injury.

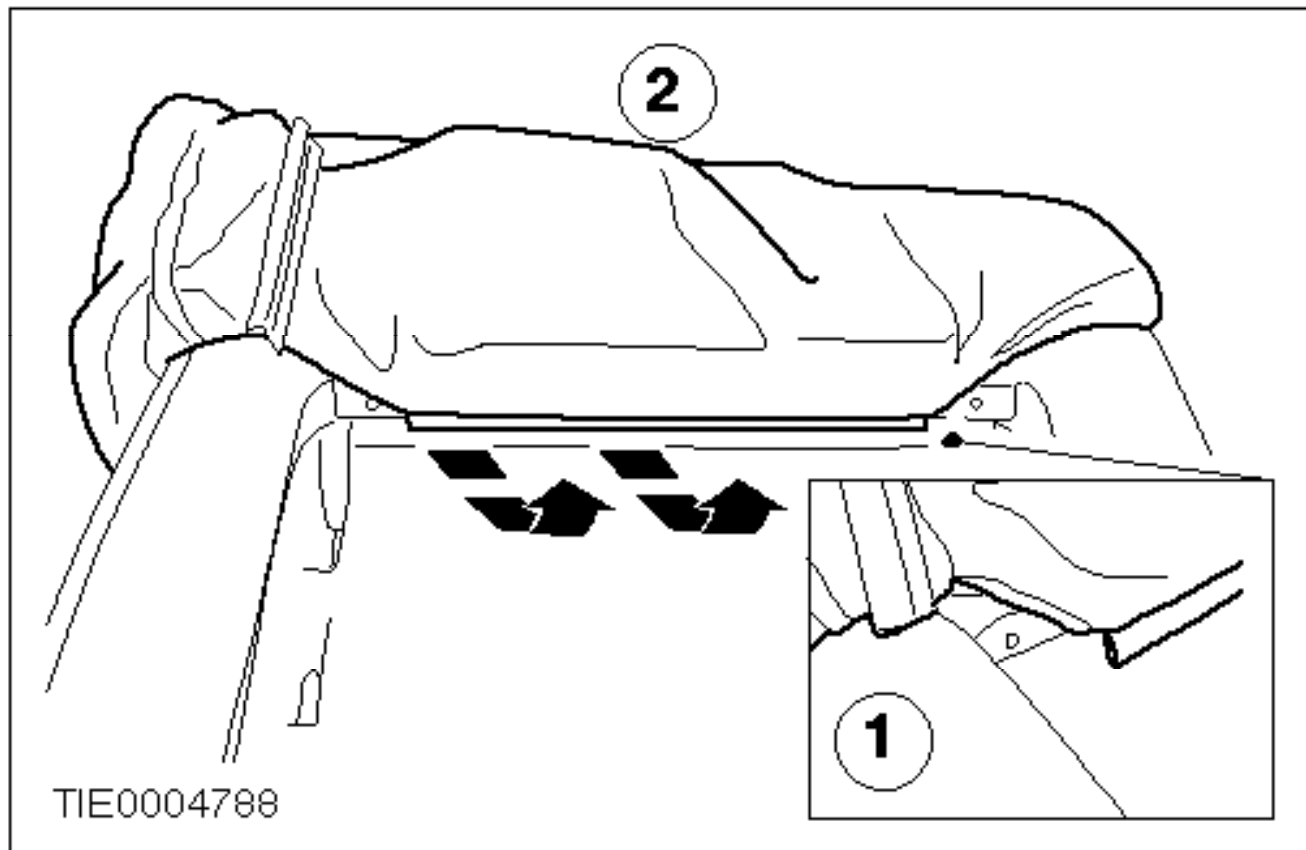
Slide apart the plastic retaining strips securing the side air bag deployment sleeve.



**All vehicles**

18. Remove the head restraint guide tubes.

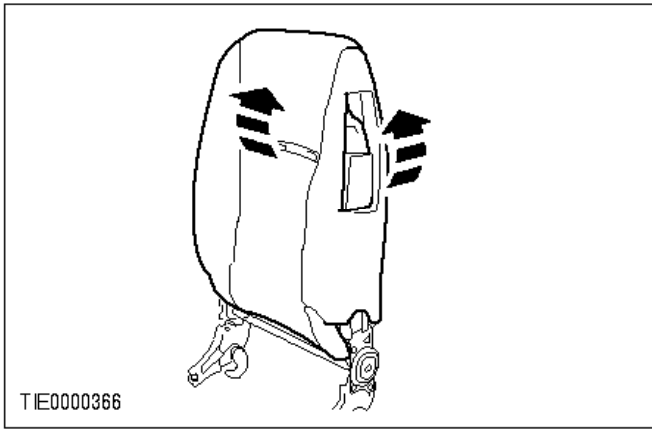
- Using a suitable screwdriver, release the locking tangs.



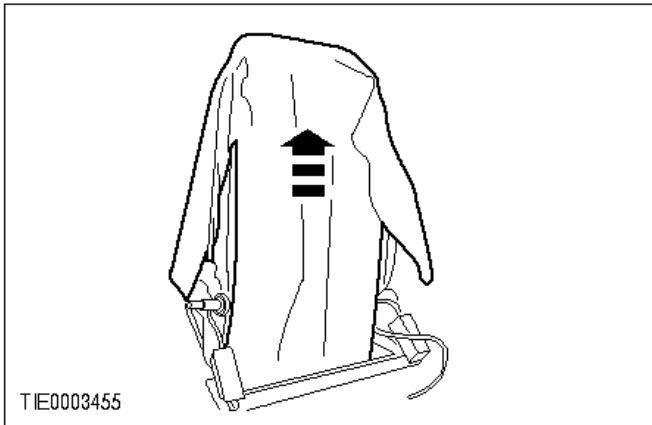
19. Detach the seat cover from the top of the seat frame.

- 1 Detach the plastic retaining strip.
- 2 Remove the seat cover.

20. Remove the lateral tension rods from the seat cover if a new seat cover is to be installed.



21. Remove the seat backrest foam pad and heater mat (if equipped).

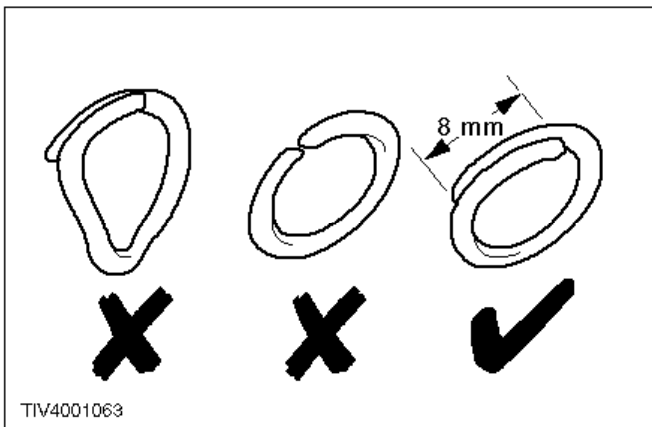


22. **CAUTION:**  
**Make sure the exact position of the anti-squeak mat on the seat frame is noted.**  
 Remove the anti-squeak mat.

#### Vehicles with side air bags

23. Remove the side air bag module. For additional information, refer to «Section 501-20A». For additional information, refer to «Section 501-20B».

#### Assembly

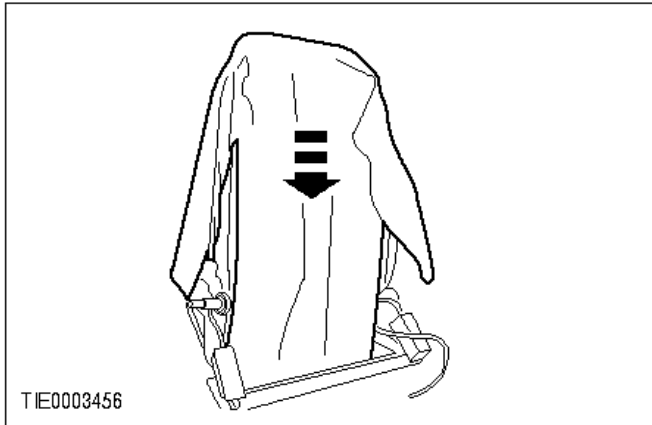


#### All vehicles


1. Use hog ring pliers to close the hog rings. Do not use any other tool. The hog rings must be closed to overlap as shown.

## Vehicles with side air bags

2. Install the side air bag module. For additional information, refer to «Section 501-20A». For additional information, refer to «Section 501-20B».



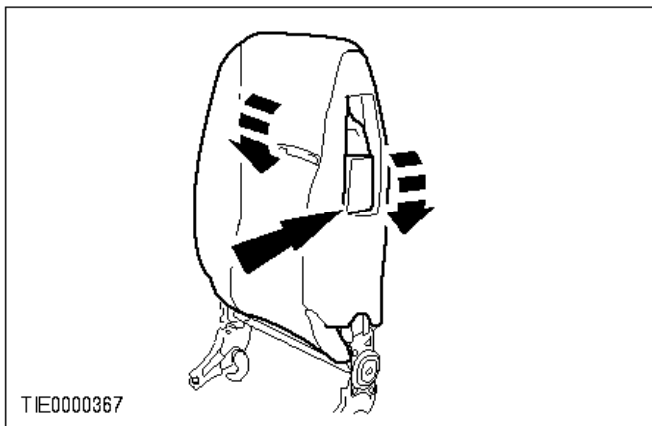
## All vehicles


3.  **WARNING:**  
Make sure the anti-squeak mat is correctly placed onto the seat frame. Do not cover the side air bag module. Failure to follow this warning will impair air bag deployment and may result in personal injury.

### Note:

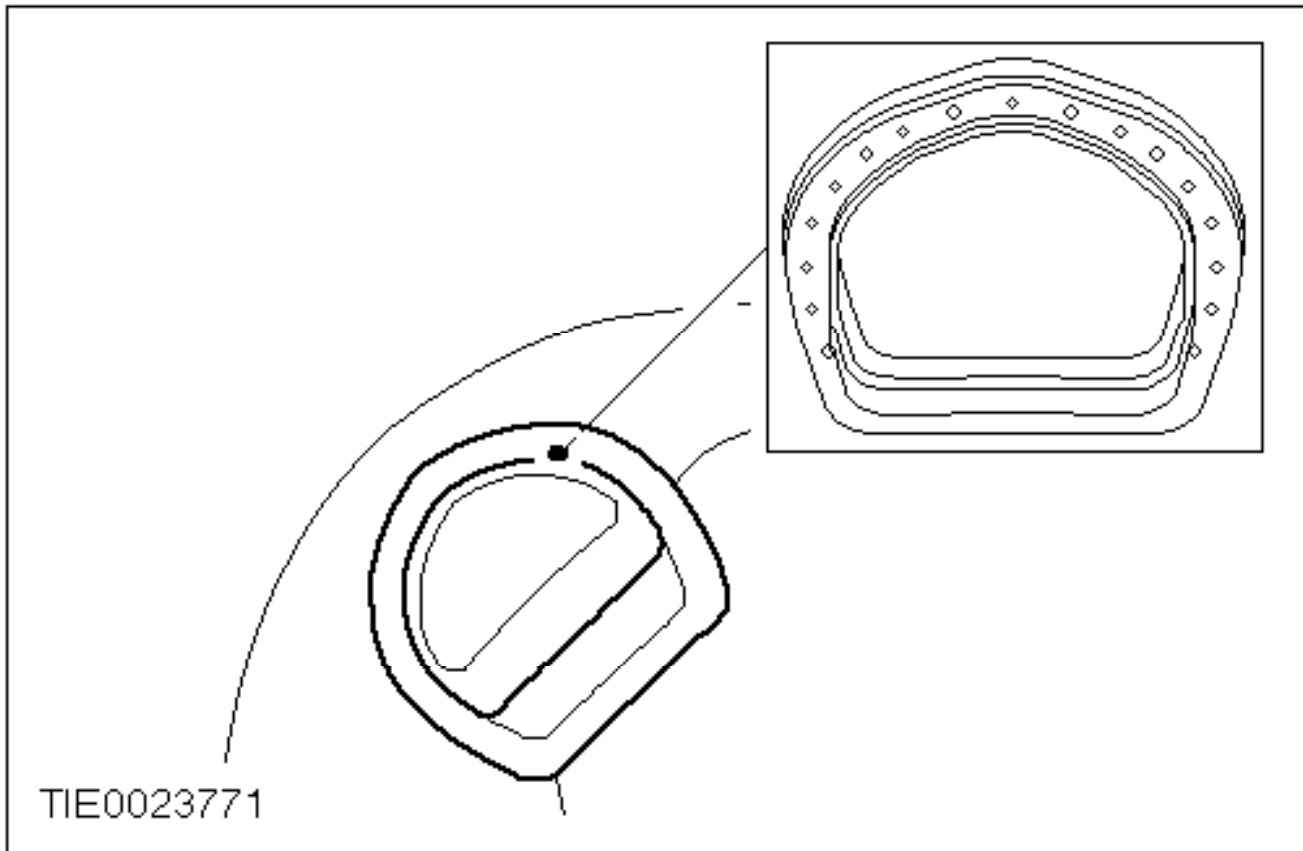
The anti-squeak matting is available as a one size service part which should be cut to match the mat it is replacing.

Install the anti-squeak mat.



4.  **WARNING:**  
Make sure the seat backrest foam pad is correctly placed around the side air bag module. Failure to follow this warning could impair air bag deployment and could result in personal injury.

Install the seat backrest foam pad.

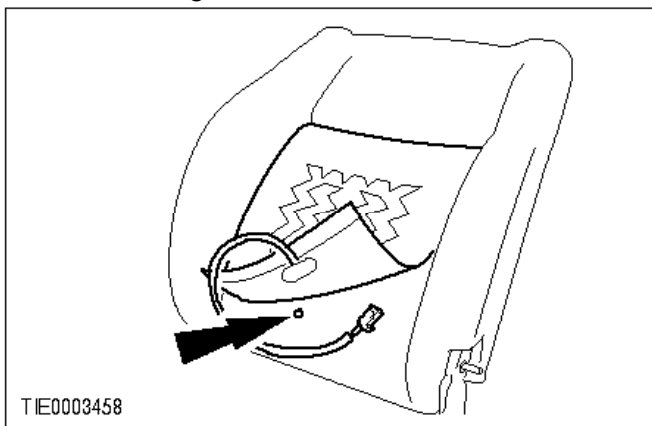


### 3-door

#### 5. **Note:**

If a new backrest foam pad is being installed, the foam pad must be cut to facilitate the installation of the tip lever mechanism.

Using the tip lever surround as a template, cut the backrest foam pad to fit around the top inner edge of the surround.



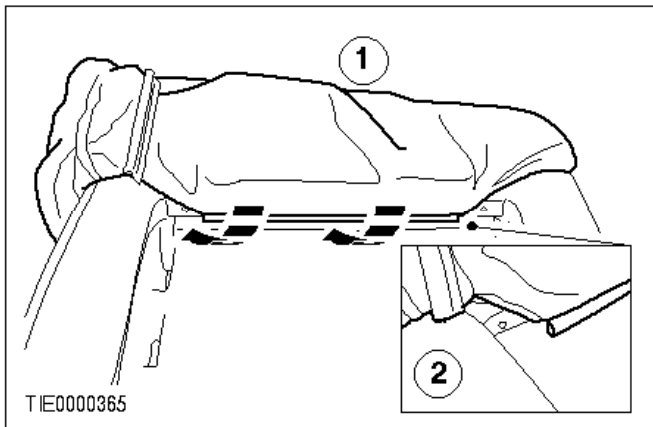
### All vehicles

#### 6. **Note:**

If a new backrest foam pad is being installed a hole must be drilled in the foam pad to facilitate the wiring harness.

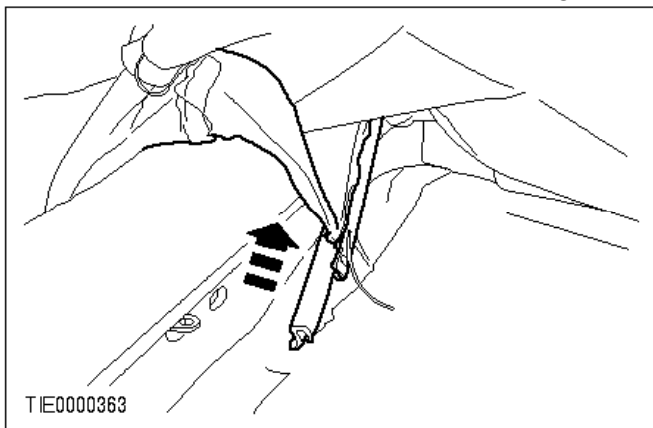
Install the heater mat (if equipped).

7. Install the lateral tension rods into the seat cover if a new seat cover is to be installed.



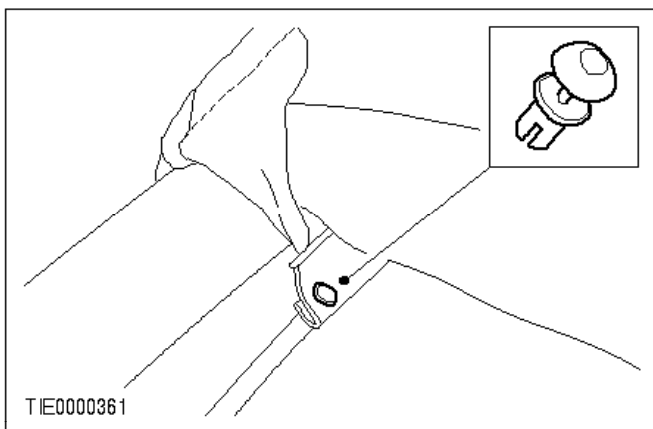
8. Attach the seat cover retaining strip to the underside of the top of the seat frame.

- 1 Position the seat cover on to the seat frame.
- 2 Attach the plastic retaining strip.



### Vehicles with side air bags

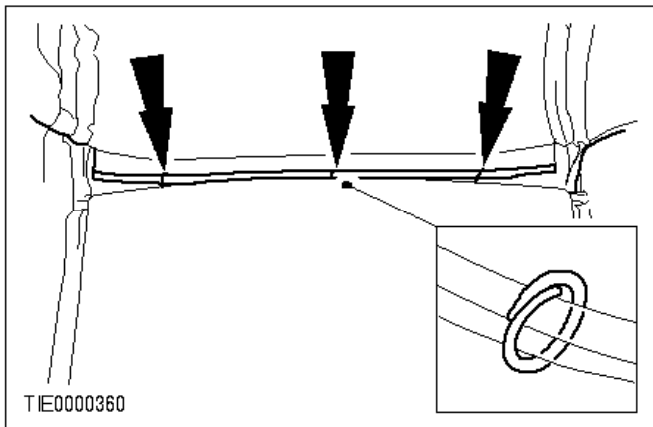
9. Attach the plastic retaining strip to secure the side air bag deployment sleeve.



10. **WARNING:**  
**Do not re-use the plastic retaining rivet. Always use the new rivet from the service kit. Failure to follow this warning could impair the air bag deployment and may result in personal injury.**

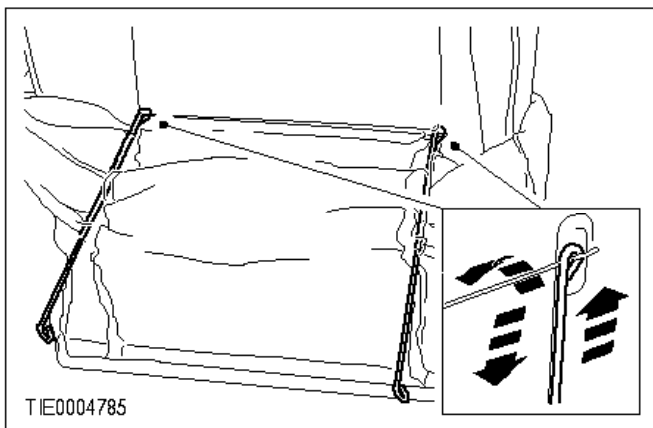
Attach the side air bag module deployment sleeve.

- Install the colored plastic rivet into the plastic retaining strip attaching the side air bag module deployment sleeve.

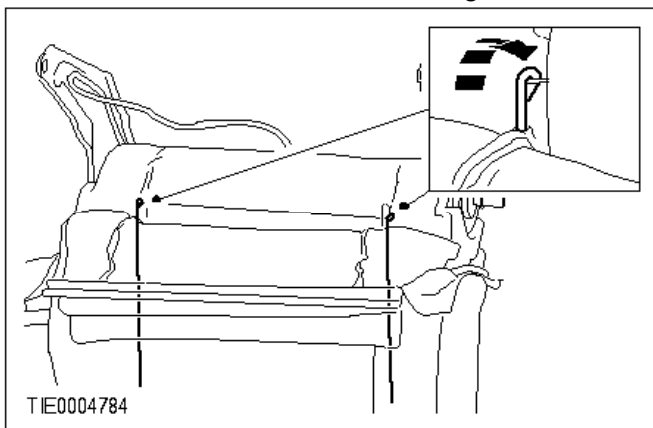


**All vehicles**

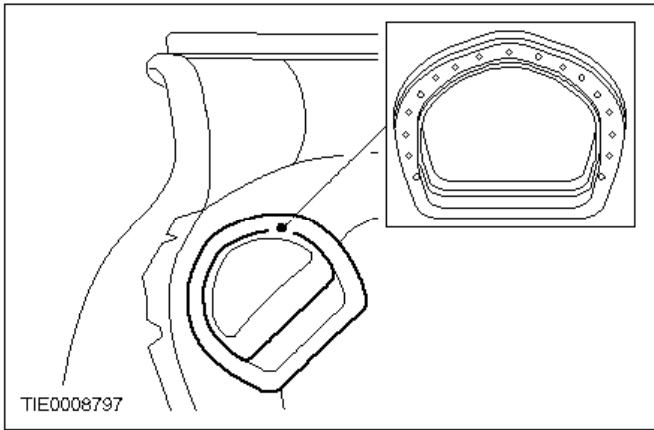
- 11. Install the hog rings attaching the seat cover to the upper edge of the spring frame assembly.
- 12. Roll the seat cover down the seat backrest frame to the upper spring frame assembly.



- 13. Attach the upper ends of the lateral tension rods.
- 14. Roll the seat cover along the backrest.

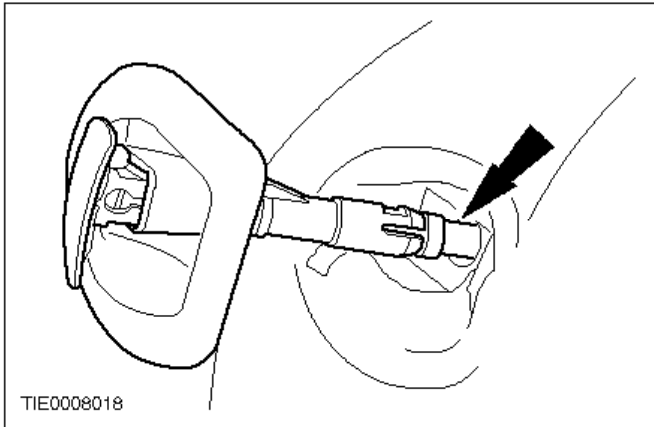


- 15. Attach the lower ends of the lateral tension rods.
- 16. Roll the seat cover down the seat backrest.

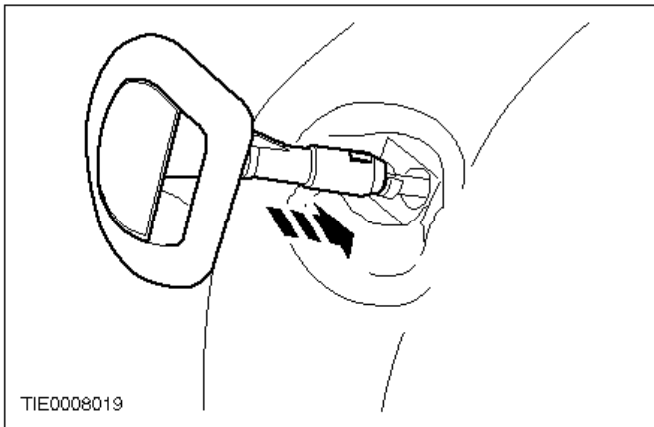


### 3-door

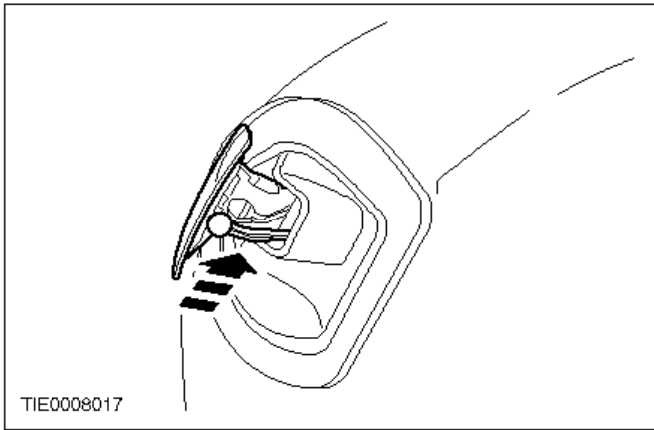
- 17. Install the backrest release lever surround.



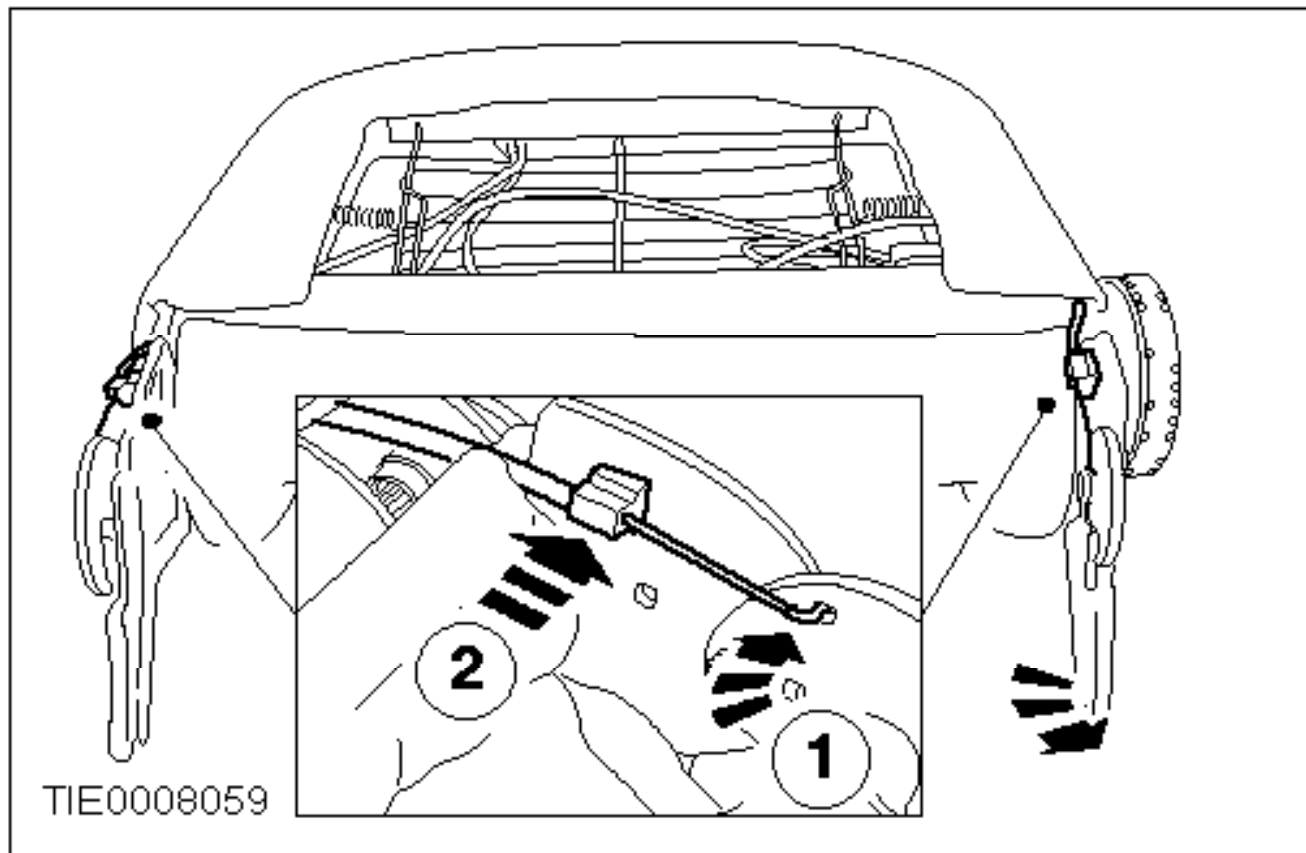
- 18. Install the release lever outer cable into the release lever housing.



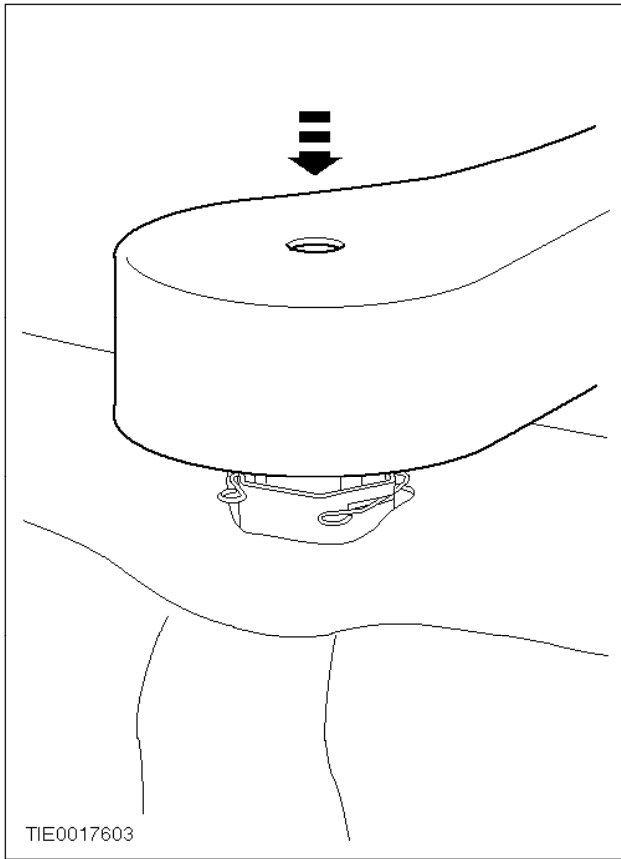
- 19. Install the backrest release lever housing



- 20. Install the backrest release lever inner cable.

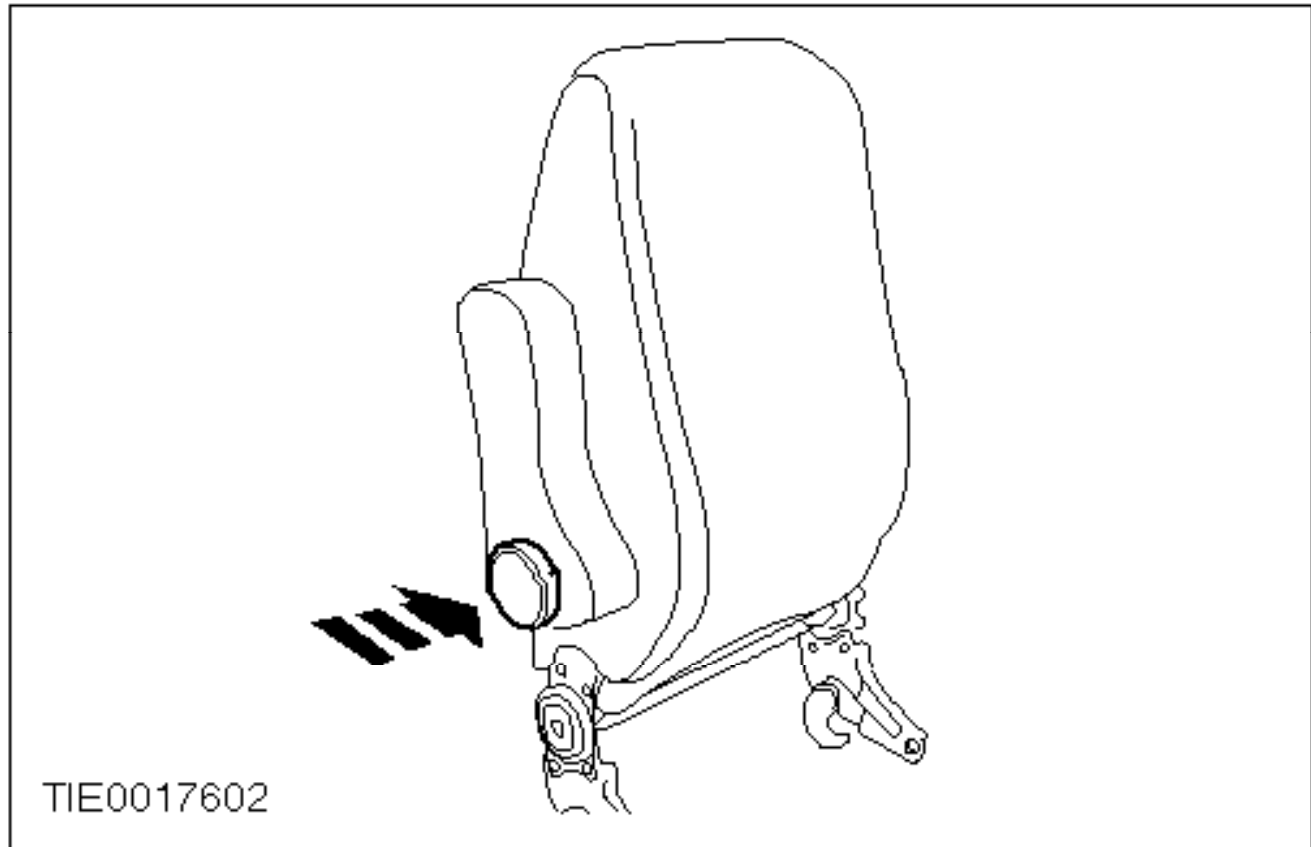


- 21. Install the backrest release lever cables at the base of the backrest.

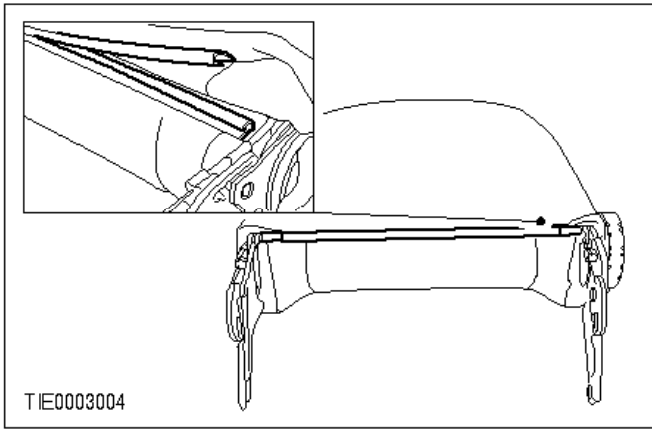


**All vehicles**

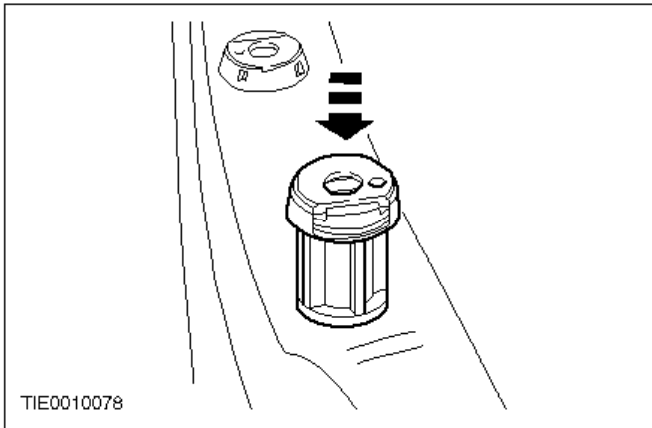
- 22. Install the armrest (if equipped).



- 23. Install the lumbar adjuster (if equipped).



- 24. Attach the plastic retaining strip to the base of the backrest.



- 25. Install the head restraint guide tubes.
  - 26. Install the head restraint.
-